



DK 10/T-EN54

- high sound pressure level
- weather proof
- BS 5839



EN 54-24:2008
Ref. Nr.: 003-13
ID-Code: SAA-LS03
1438/CPR/0242

ic audio GmbH, Boehringerstraße 14a,
D-68307 Mannheim, Germany

CE-Symbol gemäß Richtlinie 93/68EWG

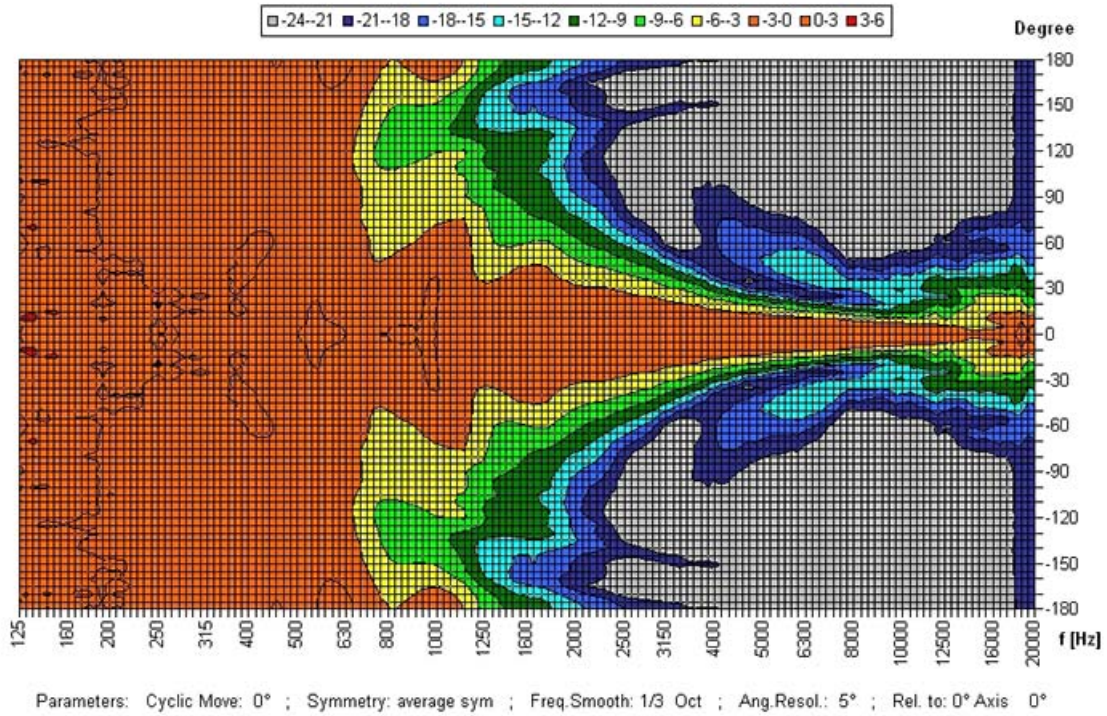
The 10W powered speaker is equipped with a 100V line transformer with 4 power adjustments, also low-impedance operation (20 ohm) is possible. The impact-resistant ABS housing UL94V0 in RAL 7035 guarantees long-term stability. For additional reliability, a ceramic block and a thermal fuse is provided in a junction box.

The speaker is also secured with the high protection class IP 66 against the security risks of environmental influences. The speaker is compliant with the British Standard BS 5839, Part 8.

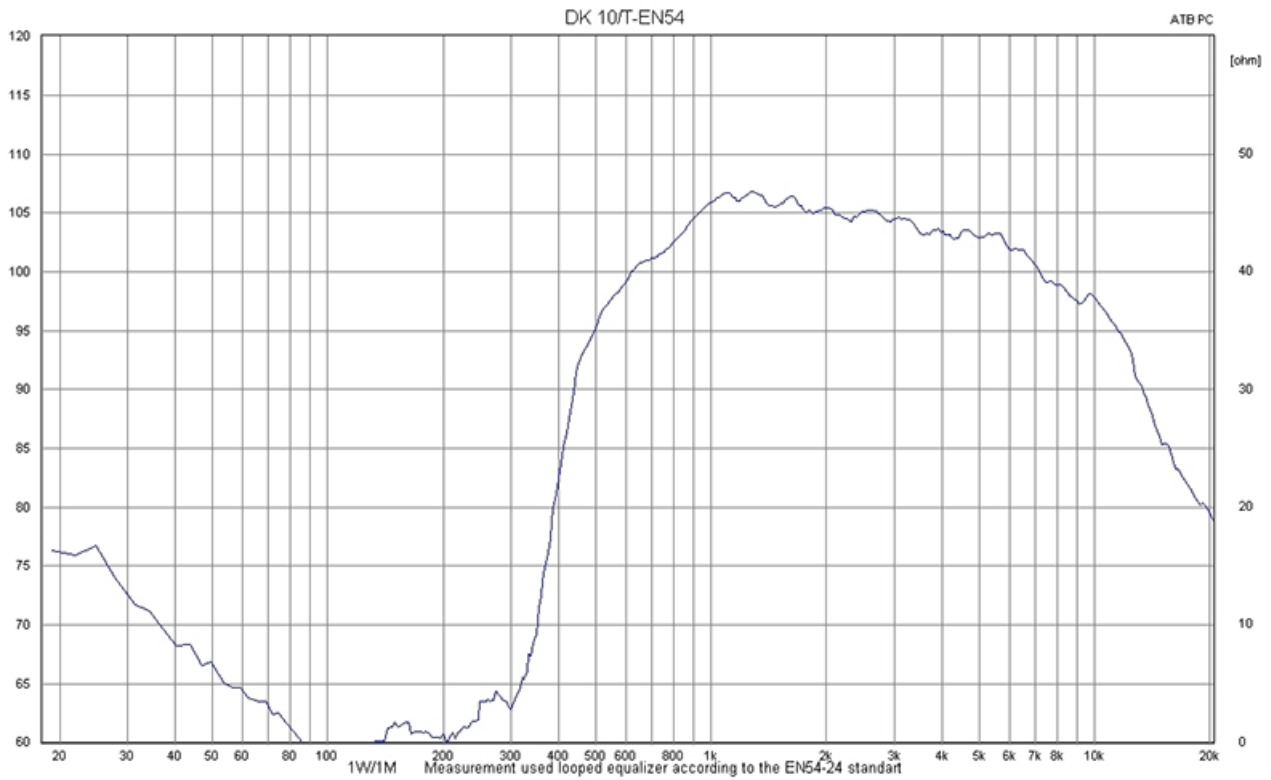
Included is a U-shaped, stainless steel universal mount for flexible installation. Optionally available is a mast bracket (MB) for about 90 - 200mm mast diameter.

Polar Diagrams

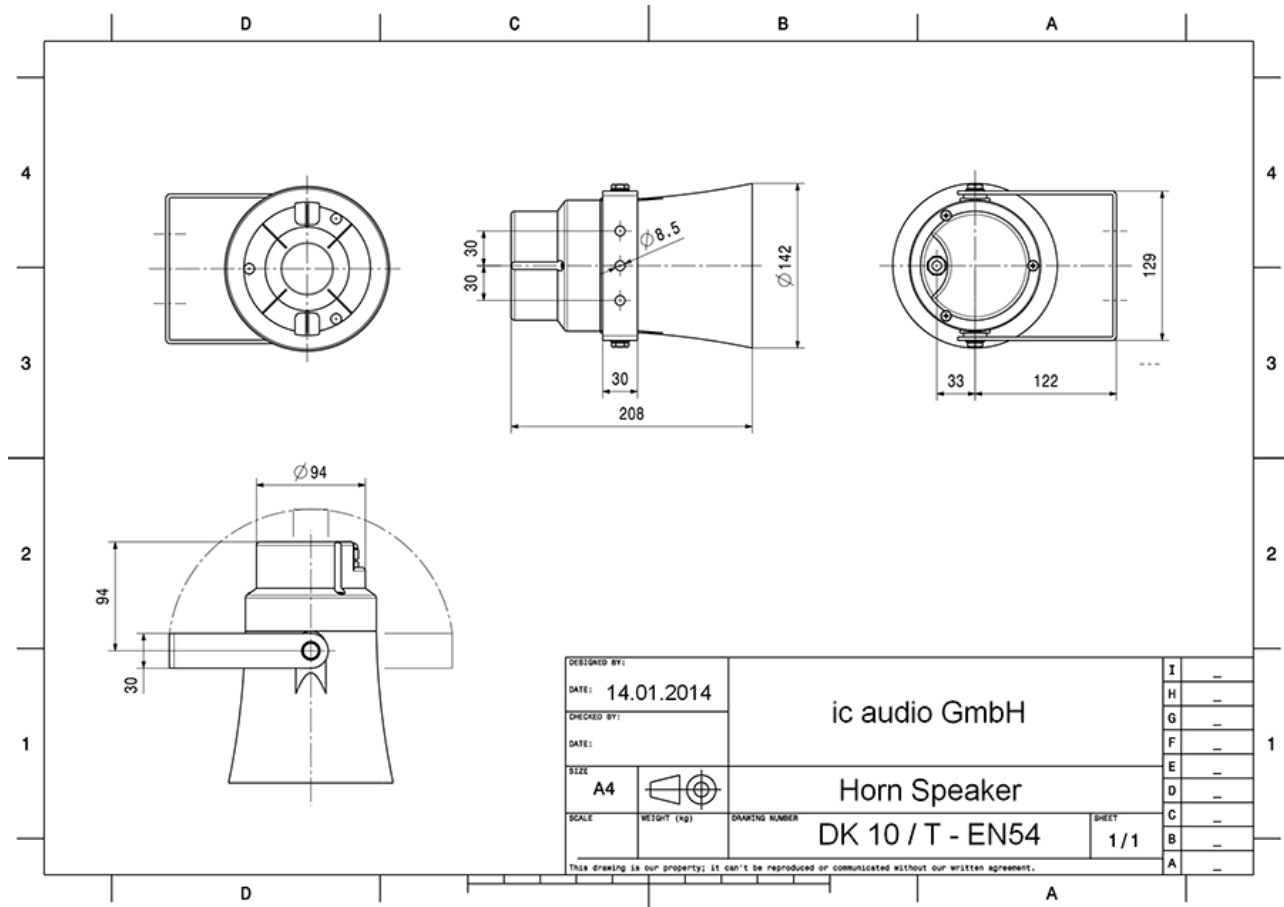
Copyright by Four-Audio GmbH & Co KG Licensed to AAC



Frequency Response Diagrams



Technical Diagrams



Technical Data (Electrical)

Description	DK 10/T-EN54
Power	10/5/2,5/1,25 (20) W
Frequency Range	569 - 7.000 Hz
Frequency Response	370 - 13.600 Hz
SPL 1W/1m, peak	106,7 dB
SPL , 1W/4m, peak	94,7 dB
SPL Pmax/4m, peak	104,7 dB
Sensitivity EN54-24, 1W/4m	74,5 dB
Dispersion -6dB, 500Hz	360°
Dispersion -6dB, 1KHz	237°
Dispersion -6dB, 2KHz	97°
Dispersion -6dB, 4KHz	46°

Technical Data (Mechanical)

Dimensions	142x208 mm
IP Rating	IP66
Weight (net)	1,81 kg
Temperature range	-20 / +90 °C
Mounting	Mounting bracket
Connector	ceramic block
Maximum cable cross section	8mm ²
Max. cable cross section loop	2x2mm ²
Colour	RAL 7035

Product Attributes



Measurements according to DIN IEC 268-5 | RoHS compliant (2011/65/EU)



Article Nr.: 20102186

Packing Unit: 8

